

100
kW



YOU.POWERED.

LIQUID COOLED

Standby Generators



SPECIFICATIONS

OVERVIEW					
Brand	Briggs & Stratton®				
Model Number	080010	080011	080012	080013	080014
Rated Countries	US / Canada				
Rated AC Voltage (Volts)	120 / 240	120 / 208	120 / 240	277 / 480	347 / 600
Frequency (Hz)	60				
Generator Breaker (Amps)	500	400	350	175	150
Operating Ambient Temperature (°C / °F)	-28 - 40 / -20 - 104				
Running Amperage (Amps)	416	347	301	150	120
Running Watts¹ (LP / NG) (kW / kVA)	100 / 100	100 / 125			
Running Amperage - Continuous Duty (International Use Only) (Amps)	333	277	240	120	96
Running Watts - Continuous Duty (International Use Only) (LP / NG) (kW / kVA)	80 / 80	80 / 100			
Phase	1	3			
Engine					
Engine Brand/Manufacturer	PSI				
Model Type	5.7L Industrial Powertrain, 4-cycle				
Aspiration	Turbo Charge Air Cooled				
Speed (RPM)	1800				
Displacement (L / ci)	5.7 / 350				
Compression Ratio	9.4:1				
Rated Horsepower (gross hp)	163				
Governor Type	Electronic				
Bore & Stroke (mm / in)	101.6 x 88.4 / 4.00 x 3.48				
Number of Cylinders	8				
Cylinder Arrangement	V8				
Start Type	Automatic				

100

kW

LIQUID COOLED Standby Generators



SPECIFICATIONS

080010

080011

080012

080013

080014

Engine	
Frequency Regulation Steady State, No Load to Full Load (%)	+/- 0.5
Frequency Regulation No Load to Full Load	Isochronous
Air Filter Type	Dry
Low Oil Pressure Sensor	Yes
Low Coolant Sensor	Yes
Engine Block Heater	Yes
Engine - Output Deratings	
Rated Temperature (°C / °F)	25 / 77
Rated Altitude (Above Sea Level) (m / ft)	366 / 1200
Temperature Derate	1.5% for every 5.6°C (10°F) above rated temp
Altitude Derate	2.5% for every 305m (1000ft) above rated altitude
Sound Rating ²	
No Load dB(A)	81
Air Induction System	
Combustion Air (m ³ /min / cfm)	7.4 / 262
Lubrication System	
Type	Full Pressure
Oil Capacity (L / qt)	4.7 / 5.0
Oil Filter (Quantity / Type)	1 / Cartridge
Cooling System	
Cooling System Type	Radiator, Closed-Loop
Coolant Capacity (Engine Only) (L / qt)	7.8 / 8.1
Coolant Capacity (System Total) (L / qt)	34.2 / 36.1
Heat Rejected to Cooling Water at Rated Load (kcal/sec / BTU/min)	17.2 / 4100
Water Pump Type	Centrifugal
Electrical System	
Ignition System	HVS Distributor
Battery Quantity	1
Battery Voltage (VDC)	12
Battery CCA (Amps)	630
Starter Motor Voltage (VDC)	12
Battery Charging Alternator	
Ground (Negative / Positive)	Negative
Nominal Voltage (VDC)	12
Maximum Amperage (Amps)	70

100

kW

LIQUID COOLED Standby Generators



SPECIFICATIONS

080010

080011

080012

080013

080014

Exhaust System			
Exhaust Manifold Type	Dry		
Exhaust Flow at Rated Load (m ³ /min / cfm)	24 / 846		
Exhaust Temperature at Rated Load (°C / °F)	732 / 1350		
Maximum Allowable Back Pressure (kPa / in Hg)	10.2 / 3.0		
Fuel System			
Fuel Type	LP Vapor / Natural Gas		
Fuel Supply Line Inlet	1 1/4" NPT		
Recommended Fuel, Lower Heating Value Minimum (MJ/m ³ / BTU/ft ³)	34.3 / 904		
Fuel Supply Pressure (LPV/NG: mbar / in H ₂ O) (Liquid LP: kPa / PSI)	17-28 / 7-11		
Fuel Consumption ³			
No Load, NG (BTU/hr)	311,000		
No Load, NG (ft ³ /hr)	311		
No Load, NG (m ³ /hr)	8.9		
Half Load, NG (BTU/hr)	893,000		
Half Load, NG (ft ³ /hr)	893		
Half Load, NG (m ³ /hr)	25.3		
Full Load, NG (BTU/hr)	1,470,000		
Full Load, NG (ft ³ /hr)	1,470		
Full Load, NG (m ³ /hr)	41.7		
No Load, LP/LPV (BTU/hr)	283,000		
No Load, LP/LPV (ft ³ /hr)	113		
No Load, LP/LPV (m ³ /hr)	3.2		
Half Load, LP/LPV (BTU/hr)	835,000		
Half Load, LP/LPV (ft ³ /hr)	334		
Half Load, LP/LPV (m ³ /hr)	9.5		
Full Load, LP/LPV (BTU/hr)	1,462,000		
Full Load, LP/LPV (ft ³ /hr)	585		
Full Load, LP/LPV (m ³ /hr)	16.6		
Alternator Specifications			
Alternator Type	Brushless, 4-Lead	Brushless, 12-Lead	
Alternator Manufacturer	MeccAlte		
Alternator Model Number	ECP34-2L/4	ECP34-1L/4	ECP34-2L/4
Frequency (Hz)	60		

100

kW

LIQUID COOLED Standby Generators



SPECIFICATIONS

080010

080011

080012

080013

080014

Alternator Specifications		
Exciter Type - Primary Alternator	Auxiliary Winding	
Insulation Rating (Class)	H	
Designed Temperature Rise (°C)	125	
Bearing (Quantity / Type)	1 / Sealed	
Coupling	Flexible Disk	
Amortisseur Windings	Full	
Number of Poles	4	
Voltage Regulator	Digital, 1-phase Sensing	
Voltage Regulation, No Load to Full Load (%)	+/- 1.0	
One-step Load Acceptance	100% of Rating	
Sustained Short-Circuit Current	300% of Rated Current for 20 Seconds	
Total Harmonic Distortion (THD), No Load to Full Load (%)	< 4.5	< 3.5
Controls/Instrumentation		
Controller Manufacturer	Deep Sea	
Controller	DSE 7310 MKII	
Charger	Marinco 6 Amp	
Starting	2-wire	
Alternator Frequency	Yes	
Real Time Clock	Yes	
Single & 3-phase Sensing	Yes	
Accumulated Power Monitoring	Yes	
Runtime & Downtime Monitoring	Yes	
Configurable Outputs	Yes	
Configurable Inputs	Yes	
Engine Maintenance Alarms	Yes	
Engine Hour Counter	Yes	
Engine Runtime Scheduler	Yes	
Event Log	Yes	
Web-based Monitoring	Yes	
Controller Features		
Heated Display Option	Yes	
True 3-phase Generator Sensing	Single-phase	Yes
Power Monitoring (kW, kVA, kVAR)	Yes	
Remote Communications (RS232 & RS485) Capable	Yes	

100

kW

LIQUID COOLED Standby Generators



SPECIFICATIONS

080010

080011

080012

080013

080014

Controller Features	
Configurable Inputs / Outputs	Yes
CAN Sensing	Yes
Configurable Display Languages	Yes
Power Save Mode	Yes
Integral PLC Editor	Yes
Flexible Sender Inputs	Yes
DSE Configuration Suite PC Software	Yes
Configurable Event Log (250)	Yes
Load Switching, Load Shedding & Dummy Load Outputs	Yes
Other Features	
Alternator Protection	Yes
Battery Rack and Cables	Yes
Battery	Yes
Electronic, Isochronous Governor	Yes
Gas Fuel System	Yes
Integral Vibration Isolation	Yes
Operation and Installation Manual(s)	Yes
Steel Sound Enclosure	Yes
Accessories	
Liquid Propane Vaporizer Kits	6504-01
Battery Charger, 9461-02	6463-00
Controller Remote Communication Module, DSE 890-01	6464-00
Remote Annunciator, DSE 2548-01	6465-00
Remote Display, DSE 2510-32	6466-00
Emergency Stop Switch, NEMA 4X	6360-00
Emergency Stop Switch, w/ Cover	6361-00
Battery Warmer	6343-00
Battery Cable Lockout	6335-00
Engine Communication Cable	6350-00
AVR Communication Cable	6472-00
Controller Communication Cable, USB-A to USB-B	6428-00
Remote Annunciator Kit, DSE 2548-01	6468-00

100

kW

LIQUID COOLED Standby Generators



SPECIFICATIONS

080010

080011

080012

080013

080014

Limited Warranty⁴

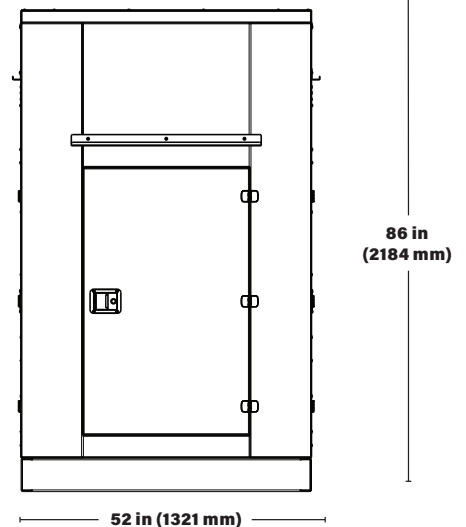
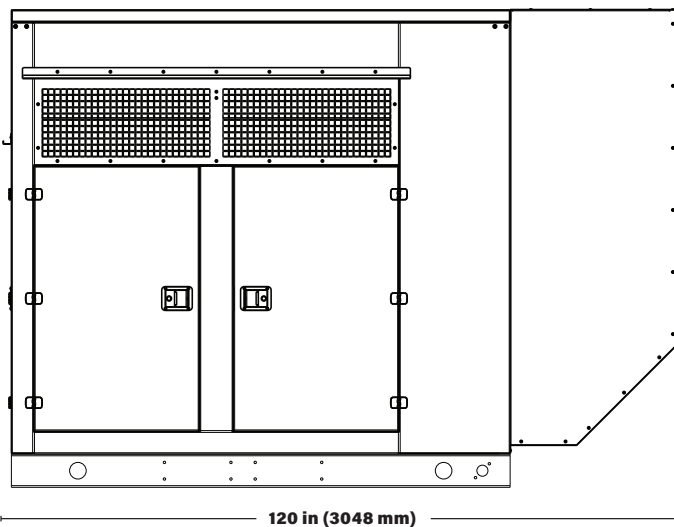
Warranty: Generator, Domestic (Parts / Labor / Travel) (Years)	3
Warranty: Generator, International (Parts / Labor / Travel) (Years / Hours)	3 / 1000
Warranty: Engine, Domestic (Parts / Labor / Travel) (Years)	3
Warranty: Engine, International (Parts / Labor / Travel) (Years / Hours)	3 / 1000
Warranty: Enclosure, Surface Rust and Corrosion (Parts / Labor / Travel) (Years)	1
Warranty: Enclosure, Rust Through (Parts / Labor / Travel) (Years)	2

Certifications

UL	Yes
cUL	Yes

Weights & Dimensions

Assembled Dimensions (Length x Width x Height) (in / mm)	120 x 52 x 86 / 3048 x 1321 x 2184
Assembled Weight (lbs / kg)	4125 / 1871
Packaged Dimensions (Length x Width x Height) (in / mm)	127 x 58 x 92 / 3226 x 1473 x 2337
Packaged Weight (lbs / kg)	4295 / 1948



¹ This generator is listed in accordance with UL (Underwriters Laboratories) 2200 (stationary engine generator assemblies) and CSA (Canadian Standards Association) standard C22.2 No. 100-14 (motor and generators).

² Per ISO 3744. Sound level measurement at other locations around generator may differ depending on installation, based on lowest microphone at 7m. Normal operation based on average household usage.

³ Fuel consumption rates are estimated based on normal operating conditions. Generator operation may be greatly affected by elevation and the cycling operation of multiple electrical appliances — fuel flow rates may vary depending on these factors.

⁴ See operator's manual or BRIGGSandSTRATTON.com for complete warranty details.

Briggs & Stratton has a policy of continuous product improvement and reserves the right to modify its specifications at any time and without prior notice. This standby generator is not for Prime Power applications.

Please visit BRIGGSandSTRATTON.com for the latest information.

BS1379 - 4/22



BRIGGS & STRATTON
POST OFFICE BOX 702
MILWAUKEE, WI 53201 USA